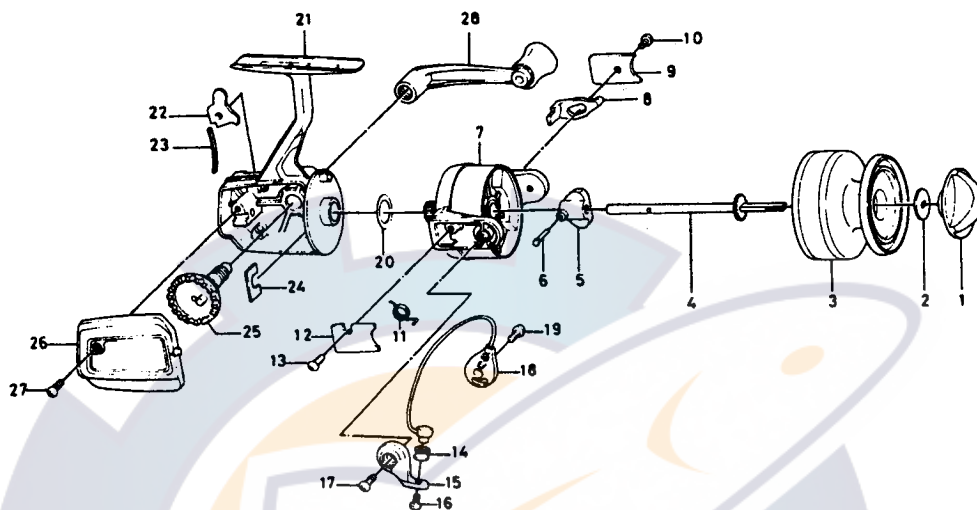




SPINNING REEL J-17FT/J12S



Key No.	Parts No.	Parts Name	Key No.	Parts No.	Parts Name
1	441-3501	Drag knob	15	.868-9701	Bail arm
2	374-7901	Drag washer	16	.867-9301	Bail arm screw
3	857-7202	Spool	17	.351-6102	Bail arm screw
4	B79-2401	Main shaft	18	.B79-2101	Bail
5	480-5101	Oscillating slider	19	351-6102	Bail trip cam screw
6	490-4411	Oscillating slider pin	20	370-9800	Rotor washer
7	.B79-1701	Rotor	21	B79-1501	Body
8	B79-2002	Bail trip lever	22	111-6101	Anti-reverse pawl
9	.868-1303	Bail trip lever cover	23	150-6201	Anti-reverse pawl spring
10	352-0402	Bail trip lever cover screw	24	632-4011	Pinion retainer
11	B18-7701	Bail spring	25	B79-1601	Drive gear
12	868-1202	Bail spring cover	* 26		Side cover
13	352-0402	Bail spring cover screw	27	351-1103	Side cover screw
14	250-3921	Line roller	28	745-7501	Handle

*Order by model and part name due to color change.